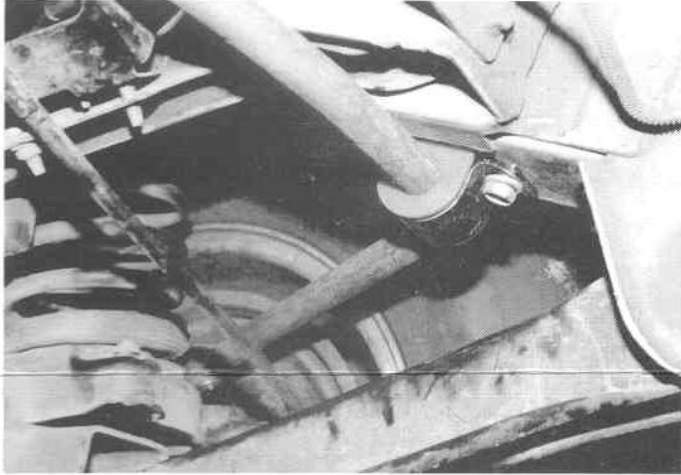




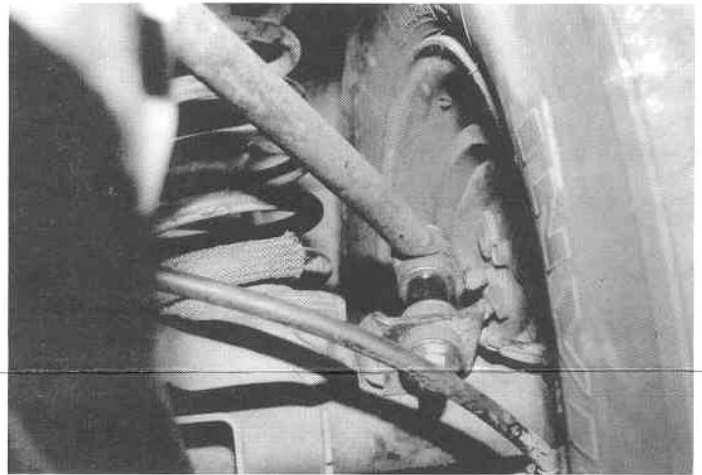
# HELLWIG INSTALLATION INSTRUCTIONS

FACTORY AND GENERAL OFFICES • 16237 AVENUE 296, VISALIA, CA 93292 • (209) 734-7451

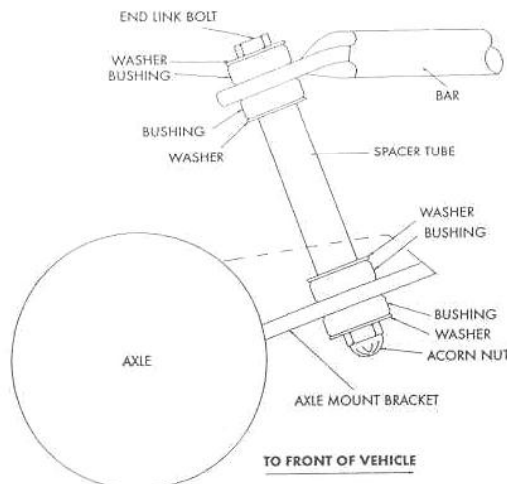
**READ THIS INSTRUCTION SHEET COMPLETELY BEFORE STARTING YOUR INSTALLATION**



1. (Driver's Side From Under Vehicle)



2. (Driver's Side From Front)



**NOTE: THIS UNIT IS DESIGNED TO REPLACE THE FACTORY INSTALLED REAR ANTI-SWAY BAR. IT WILL BE NECESSARY TO REMOVE THE DRIVER'S SIDE REAR TIRE TO PERFORM THIS INSTALLATION. BE SURE TO RAISE THE VEHICLE BY THE AXLE AND SUPPORT THE VEHICLE WITH JACK STANDS AT THE AXLE TO KEEP THE SUSPENSION LOADED. USE WHEEL BLOCKS FOR SAFETY.**

1. Remove the factory installed rear anti-sway bar from the vehicle, you will need to remove the parking brake cable retainers at the bottom of the body to allow the cables to move enough to remove the bar.
2. Install the new bar into the vehicle into the same location as the factory bar was removed.
3. Install the D-shaped poly bushings onto the bar to align with the frame mounting holes, place the U-plates over the D-bushings and with the bolts removed from the frame, attach the new bar to the frame, **LEAVE LOOSE** to allow for adjustment.
4. As per the Diagram and Photos, assemble the end links between the ends of the bar and the factory mount holes. Tighten only until the acorn nut bottoms, **DO NOT OVERTIGHTEN OR DAMAGE TO THE BUSHINGS AND THE ACORN NUTS MAY RESULT.**
5. Align the bar to be centered under the vehicle and so the end links are as straight as possible between the ends of the bar and the mount holes in the vehicle.
6. Tighten the U-plate mount bolts to approximately 35 ft. lbs.
7. Reinstall the parking brake retainers at the bottom of the body as before. Reinstall the tire and return the vehicle to the ground.
8. Bounce the vehicle checking for clearance on all under carriage components, brake lines, exhaust. etc. Recheck your installation after test driving, after one week of driving and every thirty (30) days thereafter.

**ATTENTION INSTALLER:** BE SURE THE CUSTOMER RECEIVES THIS INSTRUCTION SHEET, ALL IMPORTANT NOTE CARDS, WARNING CARDS, AND THE WARRANTY FORM.